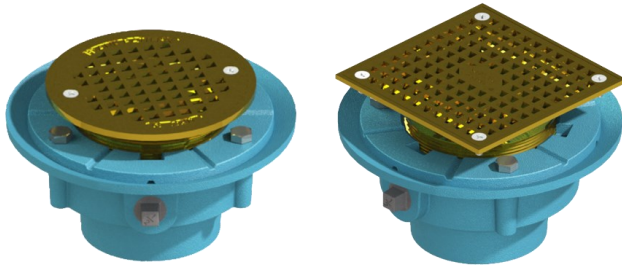




Frank Pattern™ 7" ADJUSTABLE FLOOR DRAIN SERIES with MEMBRANE CLAMP



DESIGN FEATURES

- Cast iron main body and top flange with corrosion resistant coating
- Adjustable height brass grate assembly
- Membrane clamp ring
- Trap primer connection (1/2" NPT)
- Removable brass grate for drain cleaning and replacement
- Available with chrome plated brass grate and base in round & square

INSTALLATION

1. Position drain assembly in place with drain pipe connected prior to pouring concrete.
2. Instant Set® drains clamp on outside of drain pipe. Remove top flange and simply slide over pipe. Evenly tighten 3 internal bolts with rubber washer seals to 20 in-lbs. Re-install top flange and secure bolts.
3. Adjust brass grate assembly to desired height
4. Pour concrete assembly to desired height

No hub models require connection clamp, which is not included.

Part Number **	Description	Drain Connection	Drain Pipe Size
7020**	Drain Body Only	Instant Set®	2"
N702**	Drain Body Only	No Hub	2"
N703**	Drain Body Only	No Hub	3"
7020W5375R	5" Round Grate	Instant Set®	2"
7020W5375S	5" Square Grate	Instant Set®	2"
N702W5375R	5" Round Grate	No Hub	2"
N702W5375S	5" Square Grate	No Hub	2"
N703W5375R	5" Round Grate	No Hub	3"
N703W5375S	5" Square Grate	No Hub	3"

** For Chrome Plated assembly, order CHR5375R round or CHR5375S square strainer top separately with desired 7020, N702 or N703 drain body.

SPECIFICATION

- Recommended for use on concrete floors to facilitate drainage where water can collect .
- Drain unit consists of cast iron main body, top flange, and adjustable height brass grate assembly
- Top flange secured to main body with stainless steel fasteners

COMPLIANCES/LISTINGS

- Compliant to ASME A112.6.3 standards listed in IAPMO File: 0848
- Uniform Plumbing Code (UPC®)
- International Plumbing Code (IPC®)



3689 Arrowhead Drive, Carson City, NV 89706
 Phone (800) 854-3215 Fax (800) 243-1777
 E-mail sales@lspproducts.com
 Website www.lspproducts.com

Content matter is subject to change at any time. It is the user's responsibility to ensure the most updated revisions are obtained.

Revised 05-2017

Replacement Parts & Accessories		
Part No.	Description	QTY
CHR5375R	Round Chrome Plated 5" Brass Top Screen & Base	1
CHR5375S	Square Chrome Plated 5" Brass Top Screen & Base	1
5375R	Round 5" Brass Top Grate Screen and Base	1
5375S	Square 5" Brass Top Grate Screen and Base	1
100EX	Floor Drain Extension. Provides an additional 1" to 2" of height	1
5375R-S&S	5" Round Top Grate Screen and SS Screws	1
300-001	Flat Phillips Head Stainless SS 10/24x1/2"	As Req'd

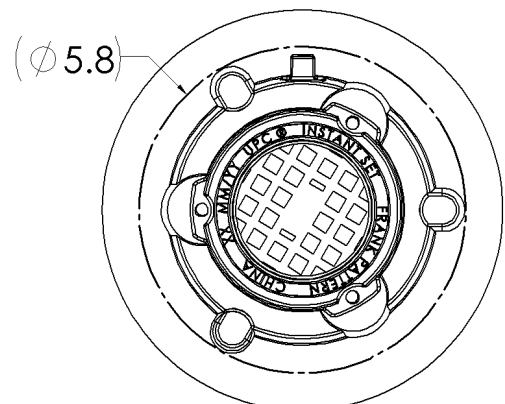
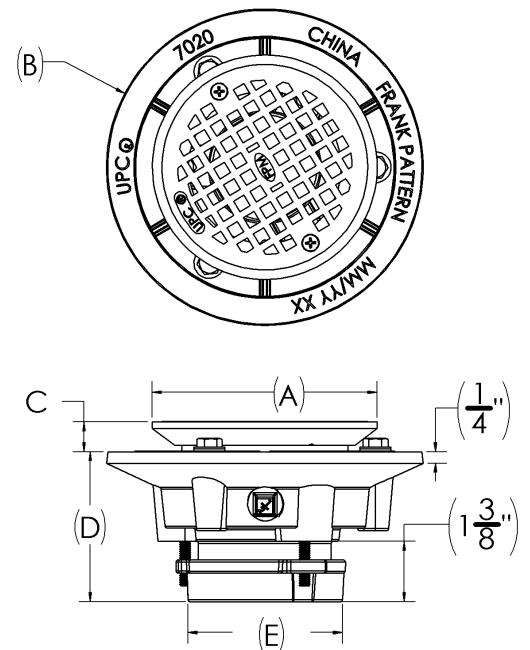
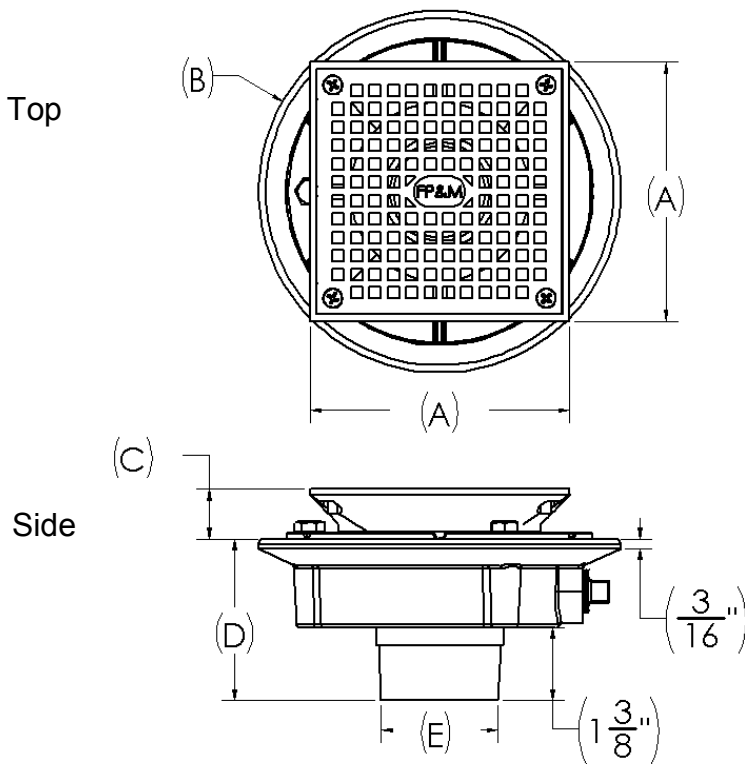
Product Submittal	
Job Name:	
Date:	
Part Number	Quantity
Architect:	
Contractor:	

DIMENSIONS

Part Number	Description	Dimensions (Inches)					
		A	B	C (Min)	C (Max)	D	E
7020W5375R	5" Round	5-1/16	7-1/8	9/16	1-3/16	3-3/8	3-1/2
7020W5375S	5" Square	5	7-1/8	1	1-7/16	3-3/8	3-1/2
N702W5375R	5" Round	5-1/16	7	11/16	1-1/4	3-1/8	2-1/4
N702W5375S	5" Square	5	7	15/16	1-9/16	3-1/8	2-1/4
N703W5375R	5" Round	5-1/16	7	5/8	1-3/16	3-3/16	3-3/8
N703W5375S	5" Square	5	7	15/16	1-7/16	3-3/16	3-3/8

NO HUB N702 SERIES

INSTANT SET 7020 SERIES



3689 Arrowhead Drive, Carson City, NV 89706
 Phone (800) 854-3215 Fax (800) 243-1777
 E-mail sales@lspproducts.com
 Website www.lspproducts.com
 Content matter is subject to change at any time. It is the user's responsibility to ensure the most updated revisions are obtained.

Bottom