

**RAPID-FIT**

**REVOLVER™**

**Simplify  
your overflow  
installation  
with the  
Revolver™**



**Field Tested,  
Plumber  
Approved!**

**Easy Installation**



- Easily hand-tightened for superior seal
- Designed with coarse threads for minimal turning, allowing the tub wall to be engaged quickly
- No tools required
- Withstands more than a four story test (20 psi)

**Error-Proof Testing**



- Integrated knock-out test plug self-aligns over tub hole and prevents faceplate installation prior to knock-out
- The all-in-one test plug completely eliminates testing hardware
- No need for screws, brackets, or test caps

**Low-Profile Faceplate**



**LSP**

**Competitors**

- The Revolver features the lowest profile snap-on faceplate in the market
- Sleek, smooth, and modern looking, the Revolver faceplate is also available with Designer Finish faceplates and stoppers

**LSP**  
PRODUCTS GROUP  
www.lspproducts.com

Phone: (800) 854-3215 Fax: (800) 243-1777

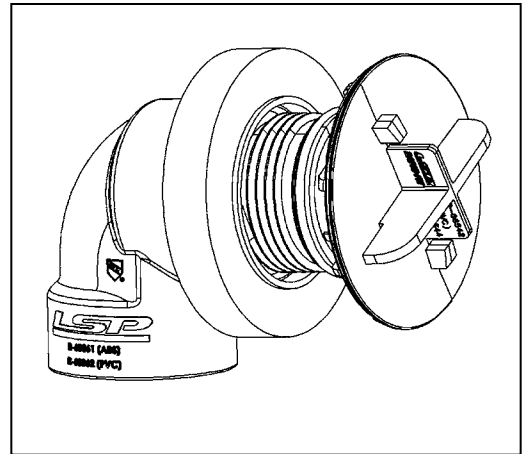
LSP's foundation is its People, Products, and Customers. We are relentlessly focused on becoming the premier source of innovative products to the plumbing industry.

# RAPID-FIT®

## REVOLVER™

### DESIGN FEATURES

- Simplifies installation with only three parts required for a complete overflow assembly
- Single overflow assembly works with tubs from 1/8" to 7/16" thick
- Coarse thread allows for minimal turning to engage tub wall
- Low profile snap-on faceplate
- Available in half kits and full kits: ABS and PVC
- Available in all major Designer Finishes



### ROUGH-IN KIT (Purchase Trim kit separately)

Part Number	Description
<b>HALF KITS - No piping or tee</b>	
R-6010-RK	Chrome, ABS Half kit
R-6011-RK	Chrome, PVC Half kit
<b>FULL KITS - Includes piping and tee</b>	
R-6110-RK	Chrome, ABS Full kit
R-6111-RK	Chrome, PVC Full kit
<b>TRIM KITS</b>	
R-0910	Chrome, Lift & Turn Stopper & Faceplate
R-0916	Chrome, Toe-Touch Stopper & Faceplate
R-0919	Chrome, Push-Pull Stopper & Faceplate

### COMPLETE KIT (Includes Trim kit)

Part Number	Description
<b>HALF KITS - No piping or tee</b>	
R-6010-LT	Chrome, ABS Half kit, Lift & Turn Stopper & Faceplate
R-6010-P	Chrome, ABS Half kit, Push-Pull Stopper & Faceplate
R-6010-T	Chrome, ABS Half kit, Toe-Touch Stopper & Faceplate
R-6011-LT	Chrome, PVC Half kit, Lift & Turn Stopper & Faceplate
R-6011-P	Chrome, PVC Half kit, Push-Pull Stopper & Faceplate
R-6011-T	Chrome, PVC Half kit, Toe-Touch Stopper & Faceplate
<b>FULL KITS - Includes piping and tee</b>	
R-6110-LT	Chrome, ABS Full kit, Lift & Turn Stopper & Faceplate
R-6110-P	Chrome, ABS Full kit, Push-Pull Stopper & Faceplate
R-6110-T	Chrome, ABS Full kit, Toe-Touch Stopper & Faceplate
R-6111-LT	Chrome, PVC Full kit, Lift & Turn Stopper & Faceplate
R-6111-P	Chrome, PVC Full kit, Push-Pull Stopper & Faceplate
R-6111-T	Chrome, PVC Full kit, Toe-Touch Stopper & Faceplate

For options other than chrome, call customer service

Content matter is subject to change at any time. It is the user's responsibility to ensure the most updated revisions are obtained.

### TECHNICAL SPECIFICATIONS TABLE

#### COMPLIANCES/LISTINGS

Test cap capable of four story testing (20 psi) without blowing out and is easily removed after test

IAPMO Listed  
Meets ASME STD A112.18.2

**LSP**  
PRODUCTS GROUP

3689 Arrowhead Drive, Carson City, NV 89706  
www.lspproducts.com

Phone: (800) 854-3215 Fax: (800) 243-1777