

GRATES

Specification Sheet



PART NO.	DESCRIPTION	GRATES FREE AREA - SQ. IN.
T-0300	Dome Grate	55
T-0301	Flat Grate	27
T-0303	Deck / Area Grate	85
T-0318	Round Grate	85

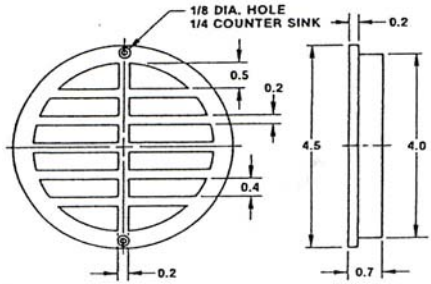
MATERIAL FEATURES

All are made of high-impact plastic materials.

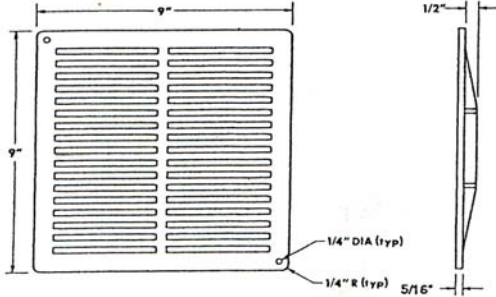
SPECIFICATION

These grates are made of high-impact plastic. All materials include additives that inhibit ultraviolet sun rays from degrading the grate. The Dome Grate openings are large enough to use these products on 2", 3" 4" drains. Flat Grates have openings to accommodate 2", 3" and 4" pipe sizes. The Round Grate area will accommodate all pipe sizes through 8". Screws are offered with each grate and tamper-proof screws can be ordered to reduce problems of vandalism (special order). PATENT NO. 4,400,272

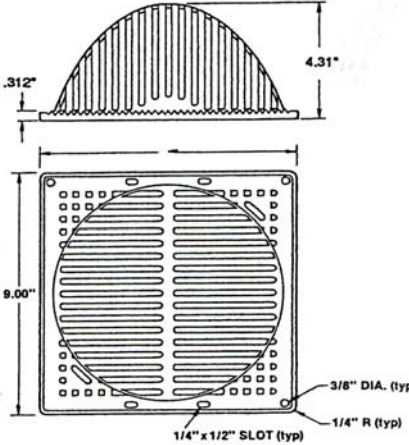
Deck / Area Grate



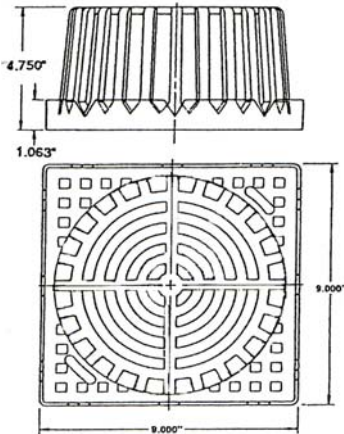
Flat Grate



Dome Grate



Round Grate



3689 Arrowhead Drive, Carson City, NV 89706
 Phone (800) 854-3215 Fax (800) 243-1777
 E-mail sales@lspproducts.com Website www.lspproducts.com

Content matter is subject to change at any time. It is the user's responsibility to ensure the most updated revisions are obtained.

Product Submittal	
Job Name	
Date	
Part Number	Quantity
Architect	
Contractor	