



**PLASTIC ADJUSTABLE
DECK DRAIN**
Specification Sheet



PART NO.	DESCRIPTION	A	B
T-0200	2" Body, 2" Slip ABS-Adjustable Deck Drain	2.125	2.68
T-0202	2" Body, 3" Slip ABS-Adjustable Deck Drain	1.781	3.97
T-0204	4" Body, 2" Slip ABS-Adjustable Deck Drain	4.093	2.68
T-0206	4" Body, 3" Slip ABS-Adjustable Deck Drain	3.781	3.98

SPECIFICATION

Furnish and install a combination Area and Atrium Drain made of high impact ABS by Tech Specialties or approved equal.

Note: ABS Drains can be used with all other waterproofing membranes.

ACCEPTANCES/LISTINGS

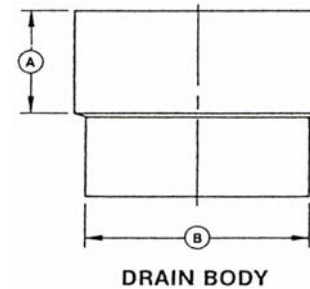
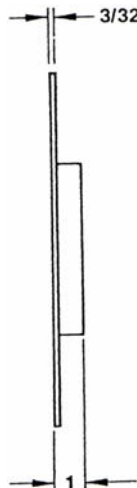
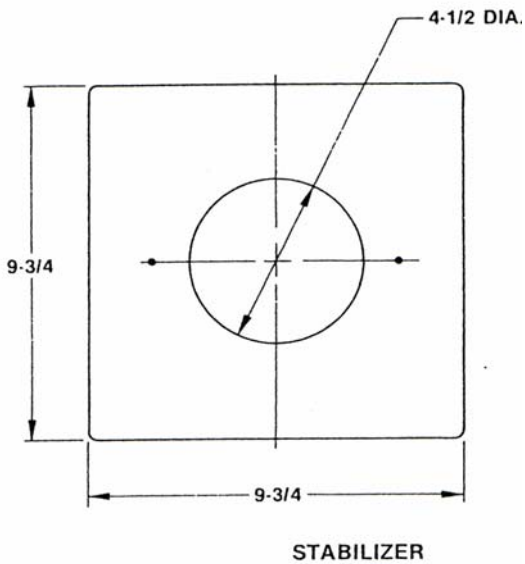
These products have been accepted and/or reviewed by:
I.A.P.M.O. File No. 1252, S.B.C.C.I Report No. 9831A

MATERIAL FEATURES

Adjustable Deck Drain can be used as a floor drain, area drain, deck drain for swimming pools or a balcony drain, along with many other applications.

ADDITIONAL DESIGN FEATURES

- Composed of three parts: Drain Body, Stabilizer and the grate.
- Available in outlet sizes: 2" and 3"
- Grate free area: 6.5 square inches



3689 Arrowhead Drive, Carson City, NV 89706
Phone (800) 854-3215 Fax (800) 243-1777

E-mail sales@lspproducts.com Website www.lspproducts.com

Content matter is subject to change at any time. It is the user's responsibility to ensure the most updated revisions are obtained.

TS/S-2005 (5-05) Rev 2

Product Submittal	
Job Name	
Date	
Part Number	Quantity
Architect	
Contractor	

**PLASTIC ADJUSTABLE
DECK DRAIN
Specification Sheet**

**BALCONY DECK INSTALLATION
WITH 502 STABILIZER**

1. Install stabilizer at the very top of drain body.
2. Solvent cement in place with proper cement.
3. Screw stabilizer into sub-floor and apply decking material.

**CAUTION: DO NOT COVER SCREW
HEADS ON GRATE.**

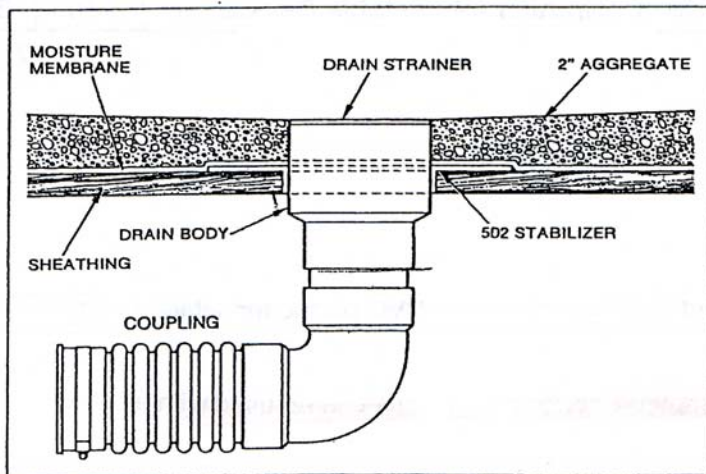
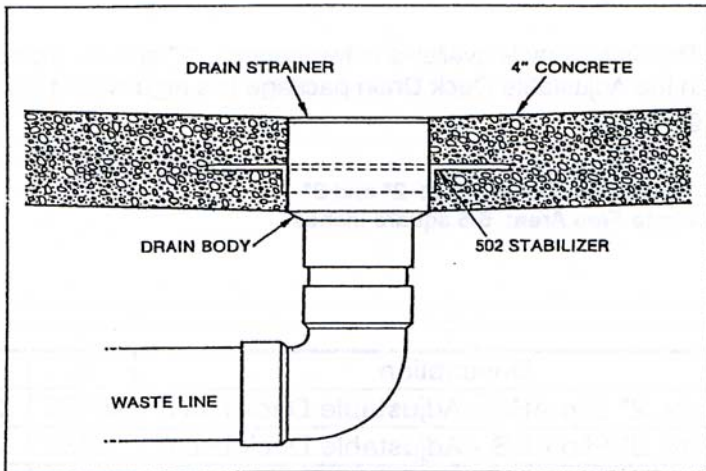
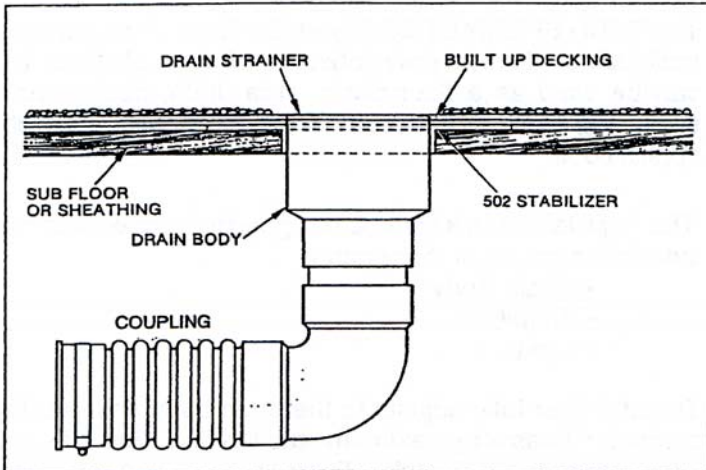
**CONCRETE FLOOR OR DECK INSTALLATION
WITH 502 STABILIZER**

1. Using 2" or 4" drain body adjust stabilizer to desired location for a "sandwich" pour.
2. Solvent cement in place with proper cement.
3. Application for pool decks, basement floors, floor drains in rest rooms and laundry rooms.

**2" CONCRETE FLOOR INSTALLATION
USING 502 STABILIZER**

1. Using 2" or 4" drain body locate stabilizer to allow grate to be flush with final floor.
2. Solvent cement in place.
3. Pour floor.

NOTE: When the adjustable Deck Drain is used as a small Roof or Balcony Drain, an expansion coupling must accompany the installation



3689 Arrowhead Drive, Carson City, NV 89706

Phone (800) 854-3215 Fax (800) 243-1777

E-mail sales@lspproducts.com Website www.lspproducts.com

Content matter is subject to change at any time. It is the user's responsibility to ensure the most updated revisions are obtained.

TS/S-2005 (5-05) Rev 2

Product Submittal	
Job Name	
Date	
Part Number	Quantity
Architect	
Contractor	