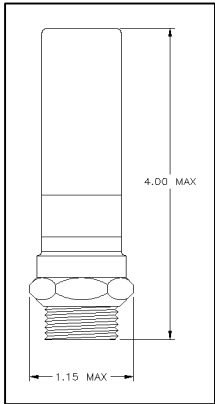
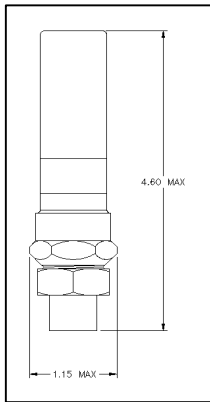


Specialty Products™

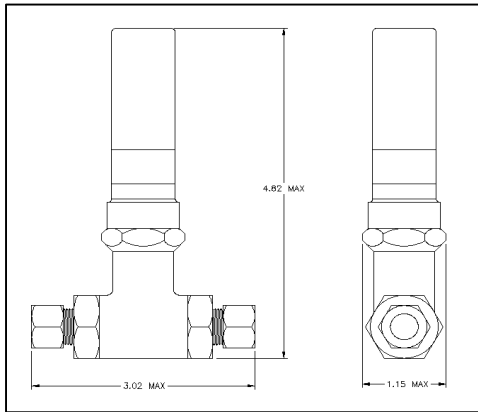
Mini-Hammer Arresters Specification Sheet



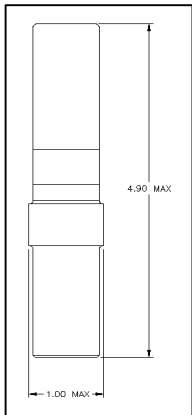
P-06389 Pictured Dimensions vary by product type



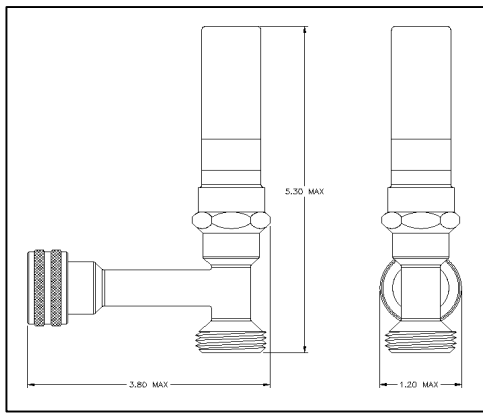
P-06390 Pictured Dimensions vary by product type



P-06396 Pictured Dimensions vary by product type



P-06392 Pictured Dimensions vary by product type



P-06399 Pictured Dimensions vary by product type

PART NO.	DESCRIPTION
P-06389	1/2" MIP
P-06390	1/2" CPVC
P-06391	1/2" male sweat
P-06392	3/4" male sweat
P-06393	3/8" PEX tee
P-06394	1/2" PEX tee
P-06395	1/4" OD compression tee
P-06396	3/8" OD compression tee
P-06397	5/8" OD compression
P-06398	5/8" OD compression tee
P-06399	FHT, swivel, x MHT
P-06400	3/8" OD FEM x 3/8" OD compression

DESIGN FEATURES

- Machined fittings for superior quality
- Spun copper end cap for clean, attractive look
- Eliminates water hammer problems and ensures a safer, quieter residential plumbing system
- Ideal for repair/remodel and retrofit upgrades
- AA Hammer Arresters

MATERIAL SPECIFICATIONS

- UPC Certified
- ASSE 1010
- Complies with NSF 61/9



3689 Arrowhead Drive, Carson City, NV 89706

Phone (800) 854-3215 Fax (800) 243-1777

E-mail sales@lspproducts.com Website www.lspproducts.com

Content matter is subject to change at any time. It is the user's responsibility to ensure the most updated revisions are obtained.

SP/S-2041 (12-03) Rev 1

Product Submittal	
Job Name	
Date	
Part Number	Quantity
Architect	
Contractor	