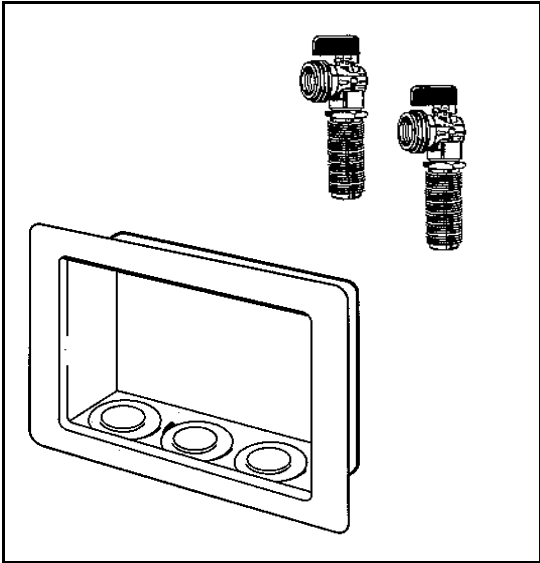


Specialty Products™

SWITCH HITTER® UNIVERSAL OUTLET BOX Specification Sheet



SPECIFICATION

Furnish and install Switch Hitter® Universal Outlet Box as manufactured by LSP Products Group/Specialty Products.

DESIGN FEATURES

- One box does it all!
- Patented design provides left, center, and right waste options.
- Knockouts accept either waste or water lines.
- Built-in test cap.
- Easy to install - adjustable faceplate accommodates up to 5/8" wall thickness.
- EZ-Turn Quarter-Turn Ball Valves made of durable brass resists cracking and corrosion.
- EZ-Turn Valves have long-lasting o-rings and tough Teflon seats.
- Slim-line box profile allows for 1" backing.

PART NO.	DESCRIPTION	MSTR CTN QTY/LBS
Without Valves		
OB-100-T	Beige, w/o valves Tract Pack	10/9
OB-101	White, w/o valves	10/9
OB-101-T	White, w/o valves Tract Pack	10/9
With Valves (Unassembled)		
OB-102	Beige, w/MIP Valves	10/22
OB-102-T	Beige, w/MIP Valves Tract Pack	10/23
OB-103	White, w/MIP Valves	10/22
OB-103-T	White, w/MIP Valves Tract Pack	10/23

COMPLIANCES/LISTINGS

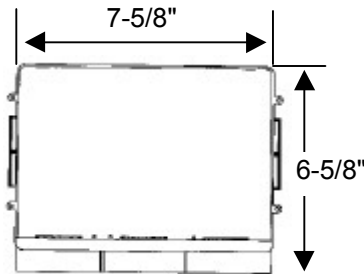
IAPMO File #0901

Valve meets or exceeds:

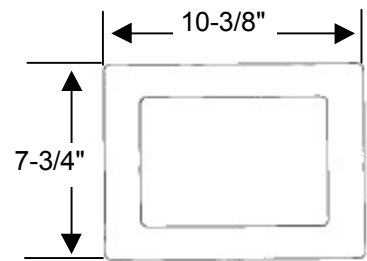
ASME A112.18.1

NSF Standard 61

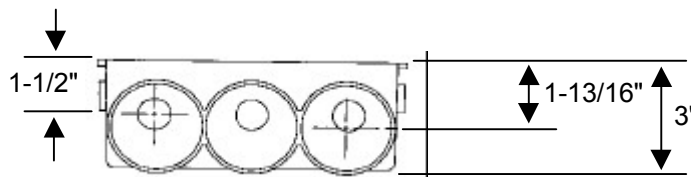
CSA Certified



Front View



Face Plate



Bottom View



3689 Arrowhead Drive, Carson City, NV 89706

Phone (800) 854-3215 Fax (800) 243-1777

E-mail sales@lspproducts.com Website www.lspproducts.com

Content matter is subject to change at any time. It is the user's responsibility to ensure the most updated revisions are obtained.

SP/S-2033 (03-02) Rev 1

Product Submittal	
Job Name	
Date	
Part Number	Quantity
Architect	
Contractor	