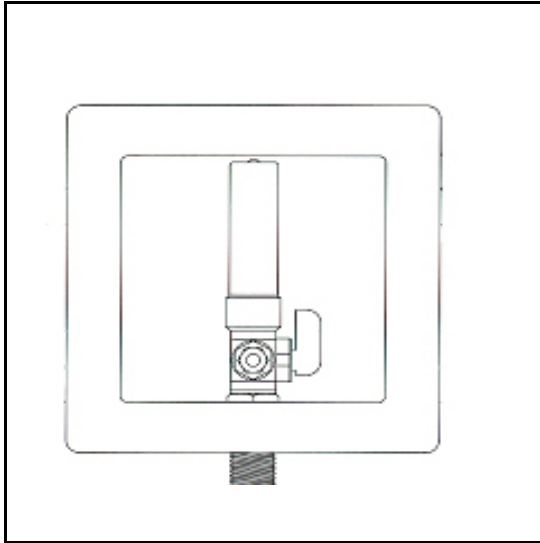


# Specialty Products™



## SPECIFICATION

Furnish and install Metal Icemaker Box with Hammer Arrestor as manufactured by LSP Products Group/Specialty Products.

## DESIGN FEATURES

- Slim line box profile allows for 1" backing.
- Adjustable face plate accommodates up to 5/8" wall thickness.
- Box constructed of high-impact metal.
- Patent pending Hammer Arrestor design.

## COMPLIANCES/LISTINGS

- IAPMO File #0901
- Valve meets or exceeds ASME A112.18.1 Standard
- Water Hammer Arrestor meets or exceeds ASSE 1010

## PACKAGING

T=Tract Pack. All tract packs have face plates packaged



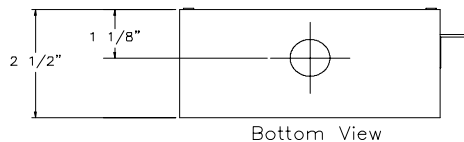
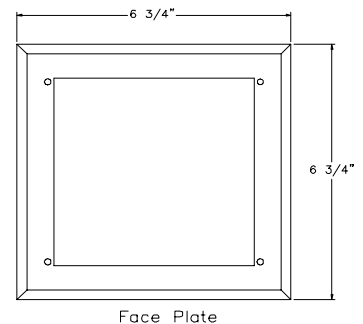
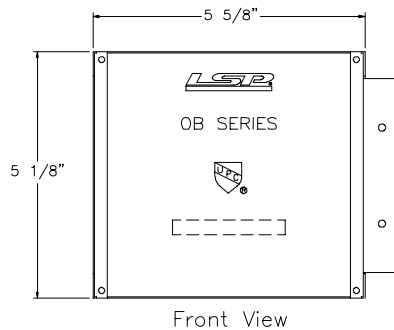
3689 Arrowhead Drive, Carson City, NV 89706  
 Phone (800) 854-3215 Fax (800) 243-1777  
 E-mail sales@lspproducts.com Website www.lspproducts.com

Content matter is subject to change at any time. It is the user's responsibility to ensure the most updated revisions are obtained.

SP/S-2040 (10-06) Rev 2

# METAL ICE MAKER BOX WITH HAMMER ARRESTOR Specification Sheet

PART NO.	COLOR	DESCRIPTION
<b>WITH MIP VALVES</b>		
OB-509	White	Assembled
OB-509-T	White	Assembled Tract Pack
<b>WITH CPVC VALVES</b>		
OB-515	White	Assembled
<b>WITH PEX VALVES</b>		
OB-518	White	Assembled
OB-518-T	White	Assembled Tract Pack
<b>WITH WIRSBO PEX VALVES</b>		
OB-520	White	Assembled
OB-520-T	White	Assembled Tract Pack
<b>WITH REHAU PEX</b>		
OB-522	White	Assembled
OB-522-T	White	Assembled Tract Pack



Product Submittal	
Job Name	
Date	
Part Number	Quantity
Architect	
Contractor	