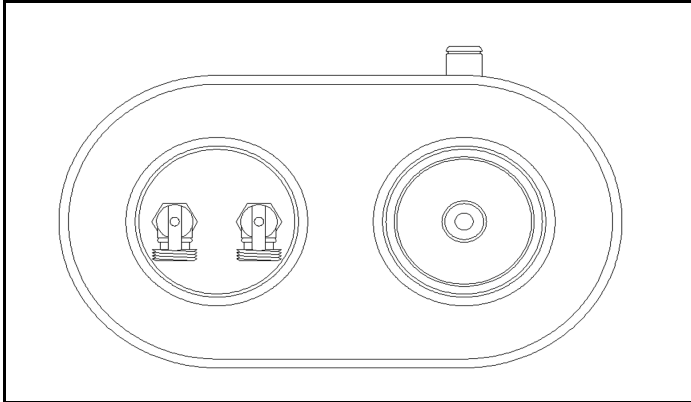


Specialty Products™



DESIGN FEATURES

- Reversible, can be installed as either left or right drain outlet
- Can be installed in vertical position unique to this product
- The supply lines and drain waste and vent can be positioned in separate stud bays unique to this product
- Built-in air gap for condensate and purge lines
- Clean new flush-mount appearance
- Sturdy metal bracket and straps for a secure mounting to studs
- A built-in water connection for fill testing of drain waste and vent system

COMPLIANCES/LISTINGS

- IAPMO File #0901
- Valve also meets or exceeds:
- ASME A112.18.1
- NSF Standard 61/9
- CSA Certified



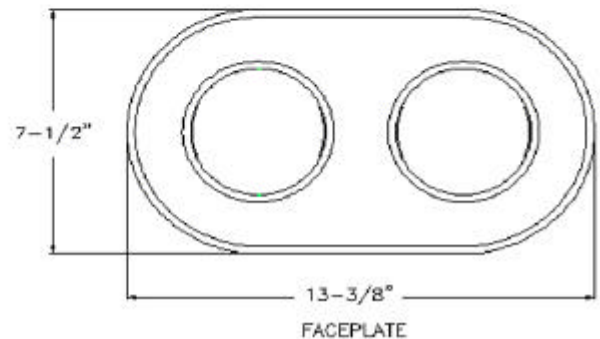
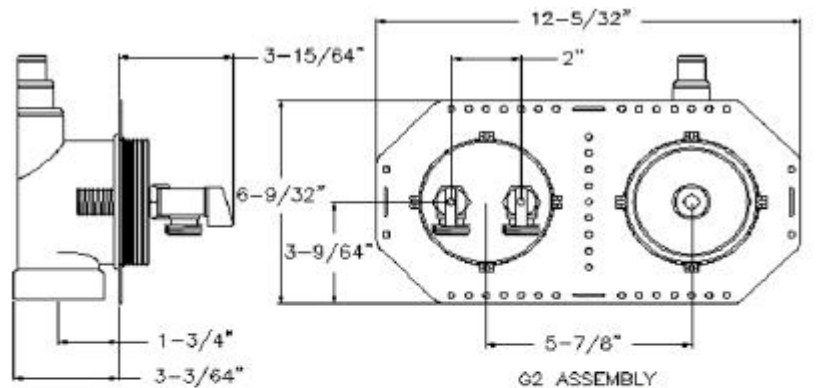
3689 Arrowhead Drive, Carson City, NV 89706
 Phone (800) 854-3215 Fax (800) 243-1777
 E-mail sales@lspproducts.com Website www.lspproducts.com

Content matter is subject to change at any time. It is the user's responsibility to ensure the most updated revisions are obtained.

SP/S-2044 (04-04) Rev 1

OUTLET BOX FAMILY

NUMBER	DESCRIPTION
OB-1001	Color White, Assembled w/ MIP Valves
OB-1002	Color White, Assembled w/ CPVC Valves
OB-1003	Color White, Assembled w/ PEX Valves
OB-1004	Color White, Assembled w/ Wirsbo PEX Valves
OB-1010	Color White, Assembled w/ MIP Hammer Arrester Valves
OB-1020	Color White, Assembled w/ CPVC Hammer Arrester Valves
OB-1030	Color White, Assembled w/ PEX Hammer Arrester Valves
OB-1040	Color White, Assembled w/ Wirsbo PEX Hammer Arrester Valves



Product Submittal	
Job Name	
Date	
Part Number	Quantity
Architect	
Contractor	