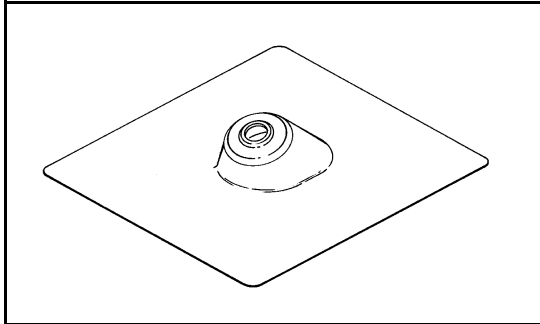


Specialty Products™



SPECIFICATION

Furnish and install POLY® III, IV & V, Galvanized, Aluminum or Flex-All™ Rubber Flashing to eliminate leaks and resist extreme weather conditions from LSP Products Group/Specialty Products.

Part Number	A	B
P-6150	9-1/8"	12-7/8"
P-6200	9-1/8"	12-7/8"
P-6300	11-7/8"	15-7/8"
P-6400	11-7/8"	15-7/8"
P-7123	11-7/8"	15-7/8"
P-4150	8-7/8"	13"
P-4200	8-7/8"	13"
P-4300	11-5/8"	16-1/8"
P-4400	11-5/8"	16-1/8"
P-4030	10-3/4"	14-1/2"
P-4031	10-3/4"	14-1/2"
P-4032	10-3/4"	14-1/2"
P-4033	12"	16"
P-4042	10-3/4"	14-1/2"
P-4043	10-3/4"	14-1/2"
P-4044	10-3/4"	14-1/2"
P-4045	12"	16"
P-5150	8-7/8"	11-1/4"
P-5200	8-7/8"	11-1/4"
P-5300	9-7/8"	13-1/4"
P-5400	11-3/8"	14-1/8"



3689 Arrowhead Drive, Carson City, NV 89706
 Phone (800) 854-3215 Fax (800) 243-1777
 E-mail sales@lspproducts.com Website www.lspproducts.com

Content matter is subject to change at any time. It is the user's responsibility to ensure the most updated revisions are obtained.

SP/S-2015 (03-02) Rev 1

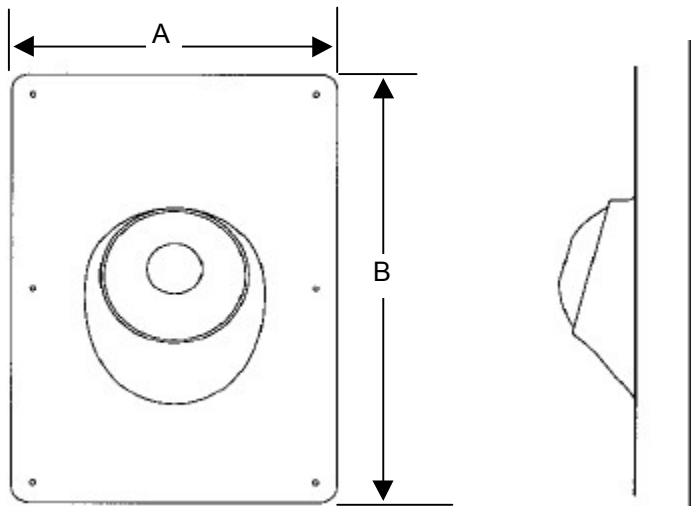
FLASHINGS Specification Sheet

DESIGN FEATURES

- Eliminates leaks by incorporating a rush and seal in the flashing cone, which compresses around the pipe, making it water tight.
- Resistant to ultraviolet rays, moisture, salt air corrosion and extreme weather conditions.
- Self-sealing design allows for pipe expansion and contraction.
- Use with ABS, PVC, galvanized and cast iron DWV pipe.
- Flexible so that it conforms to roof shakes, shingles and flat tile (universal).
- Bases on the galvanized and aluminum flashings are constructed of .025 inch thick material.

COMPLIANCES/LISTINGS

- IAPMO File #0956
- FHA/HUD Material Release #956
- SBCCI PST & ESI Evaluation Report #9831



Product Submittal	
Job Name	
Date	
Part Number	Quantity
Architect	
Contractor	

PART NUMBER	DESCRIPTION	SIZES	MSTR CTN QTY/LBS
POLY IV			
P-6150	9-1/8" x 12-7/8"	1-1/4" - 1-1/2"	25/8.2
P-6200		2"	25/8.2
P-6300	11-7/8" x 15-7/8"	3"	25/8.2
P-6400		4"	25/8.2
POLY V			
P-7123	11-7/8" x 15-7/8"	1-1/2", 2", 3"	25/8.2
POLY III			
P-4150	8-7/8" x 13"	1-1/2"	25/8.2
P-4200		2"	25/8.2
P-4300	11-5/8" x 16-1/8"	3"	25/8.2
P-4400		4"	25/8.2
GALVANIZED			
P-4030	10-3/4" x 14-1/2"	1-1/2"	12/15
P-4031		2"	12/15
P-4032		3"	12/15
P-4033	12" x 16"	4"	12/6.8
ALUMINUM			
P-4042	10-3/4" x 14-1/2"	1-1/2"	12/14
P-4043		2"	12/14
P-4044		3"	12/14
P-4045	12" x 16"	4"	12/17
FLEX-ALL			
P-5150	8-7/8" x 11-1/4"	1-1/4" - 1-1/2"	25/8.2
P-5200		2"	25/8.2
P-5300	9-7/8" x 13-1/4"	3"	25/8.2
P-5400	11-3/8" x 14-1/8"	4"	25/8.2



3689 Arrowhead Drive, Carson City, NV 89706

Phone (800) 854-3215 Fax (800) 243-1777

E-mail sales@lspproducts.com Website www.lspproducts.com

Content matter is subject to change at any time. It is the user's responsibility to ensure the most updated revisions are obtained.

SP/S-2015 (03-02) Rev 1