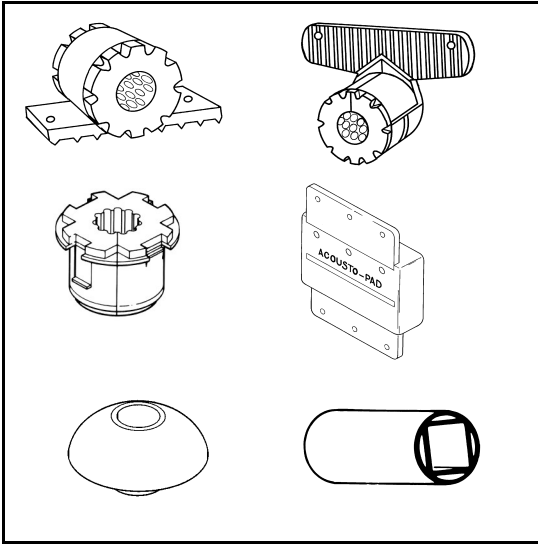


Specialty Products™

ACOUSTO-PLUMB® SYSTEM Specification Sheet



DESIGN FEATURES

Replaces ineffective felt or carpet padding; long-lasting rigid material won't rot or deteriorate.

Provides reliable and secure method of mounting pipe, won't loosen like wood wedges or pipe hooks.

Pipe mount and insulator in one; absorbs the vibrations that would normally be transmitted by water velocity and disruptions in water flow.

Won't break down under normal hot water temperatures.

Recommended for high-end residential projects and multi-family construction such as apartments, condominiums, hotels and motels.

SPECIFICATION

Furnish and install the Acousto-Plumb® System of pipe mounting and insulation to isolate vibrations away from the building structure and reduce the transmission of piping noise. The Acousto-Plumb® clamps, hanger and in-wall insulators work in combination and can reduce noise from the water system by 20 decibels. The main component of this system, the Acousto-Lator®, is made of specially formulated material that is strong and rigid enough to mount piping securely, yet pliable enough to absorb vibrations that could be transmuted into noise. Constructed of durable high-impact plastic with special acoustic lining. As manufactured by LSP Products Group/Specialty Products.

★ **For Use With Copper Plumbing Systems.**



3689 Arrowhead Drive, Carson City, NV 89706
Phone (800) 854-3215 Fax (800) 243-1777
E-mail sales@lspproducts.com Website www.lspproducts.com

Content matter is subject to change at any time. It is the user's responsibility to ensure the most updated revisions are obtained.

SP/S-2025 (03-02) Rev 1

COMPLIANCES/LISTINGS

IAPMO File Number 2139

Product Submittal	
Job Name	
Date	
Part Number	Quantity
Architect	
Contractor	

PART NUMBER	DESCRIPTION	SIZES	PARTS/BAG
P-6101	Acousto-Clamp	1/2"	25
P-6102	Acousto-Clamp	3/4"	25
P-6103	Acousto-Clamp	1"	25
P-6301	Acousto-Lator	1/2"	25
P-6302	Acousto-Lator	3/4"	25
P-6201	High-Ear Acousto-Clamp	1/2"	25
P-6202	High-Ear Acousto-Clamp	3/4"	25
P-6203	High-Ear Acousto-Clamp	1"	25
P-6501	Acousto-Sleeve	1/2"	25
P-6502	Acousto-Sleeve	3/4"	25
P-6503	Acousto-Sleeve	1"	25
P-6401	Acousto-Scutcheon Ivory Plastic	1/2"	25
P-6402	Acousto-Scutcheon Ivory Plastic	3/4"	25
P-6403	Acousto-Scutcheon Ivory Plastic	1"	25
P-6410	Acousto-Scutcheon Chrome Plated Plastic	1/2"	25
P-6411	Acousto-Scutcheon Chrome Plated Plastic	3/4"	25
P-6412	Acousto-Scutcheon Chrome Plated Plastic	1"	25
P-6701	Acousto-Pad		25
P-6720	Acousto-Kit For Sink-Lav Includes 10" Bracket and 2-P-6301		1
P-6721	Acousto-Kit For Sink-Lav Includes 26" Bracket and 2-P-6301		1
P-6730	Acousto-Kit For Toilet Includes 20" Bracket and 1-P-6301		1
P-65057	"U" Galvanized Bracket	3-1/2" x 2"	1
P-65059	20" Galvanized Bracket		1
P-65060	26" Galvanized Bracket		1



3689 Arrowhead Drive, Carson City, NV 89706

Phone (800) 854-3215 Fax (800) 243-1777

E-mail sales@lspproducts.com Website www.lspproducts.com

Content matter is subject to change at any time. It is the user's responsibility to ensure the most updated revisions are obtained.

SP/S-2025 (03-02) Rev 1