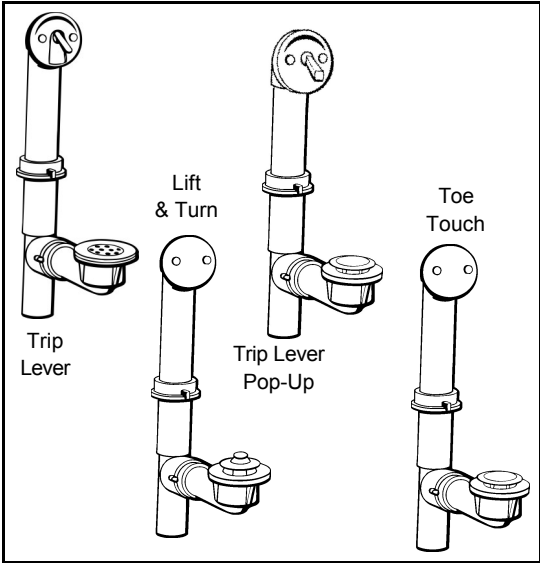




1-1/2" BRASS TUBULAR BATHWASTE ASSEMBLIES

Specification Sheet



PART NO.	FINISH	GAUGE	MASTER CARTON
TRIP LEVER			
R-5000	Chrome	17	12
R-5010	(PVD) Polished Brass*	17	12
R-5500	Chrome	20	12
R-5510	(PVD) Polished Brass*	20	12
LIFT & TURN			
R-8000	Chrome	17	12
R-8500	Chrome	20	12
R-8510	(PVD) Polished Brass*	20	12
TRIP LEVER POP-UP			
R-4000	Chrome	17	12
TOE TOUCH			
R-9000	Chrome	17	12

SPECIFICATION

Furnish and install 1-1/2" Brass Tubular Bath Waste Assemblies as manufactured by LSP Products Group/Rapid-Fit. Available in Trip Lever, Trip Lever Pop-Up, Lift and Turn and Toe Touch models with 2-hole overflow plates.

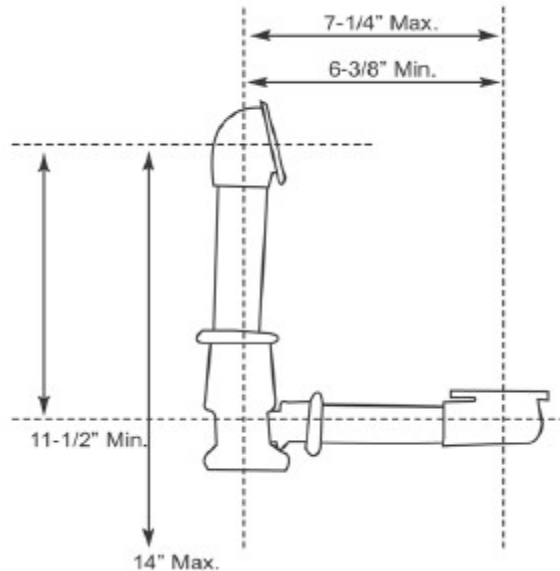
DESIGN FEATURES

Available in either 17 or 20 gauge brass. Quality mechanisms for trouble-free service. 17-gauge kit includes brass ferrules. Retaining clip for easy installation.

COMPLIANCES/LISTINGS

IAPMO File 1232
Meets or exceeds ASME A112.18.1

*PVD is the new state-of-the-art application process of physical vapor deposition. PVD yields a brass finish that is oxidation resistant and will not fade, tarnish, crack or peel under normal conditions. The deeply luxurious PVD Brass Non-Tarish finish is impervious to all but the most caustic bleaches and acids and comes with a limited lifetime warranty.



3689 Arrowhead Drive, Carson City, NV 89706
Phone (800) 854-3215 Fax (800) 243-1777
E-mail sales@lspproducts.com Website www.lspproducts.com

Content matter is subject to change at any time. It is the user's responsibility to ensure the most updated revisions are obtained.

RF/S-2001 (03-02) Rev 1

Product Submittal	
Job Name	
Date	
Part Number	Quantity
Architect	
Contractor	