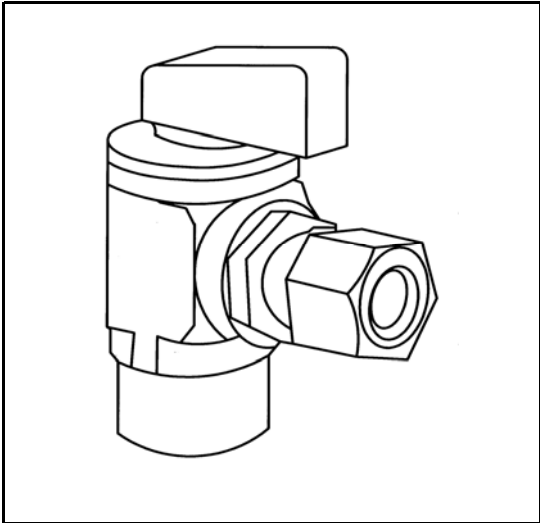


AQUAFLO®



DESIGN FEATURES

- Quick quarter-turn shut-off.
- Heavy duty brass construction ensures durability.
- Ball style valve will not freeze up.
- Teflon seats for extra wear resistnace.
- Pliable O-rings will not distort or break down.
- One-year limited warranty on EZ Turn valves.

COMPLIANCES/LISTINGS

- IAPMO Certified
- NSF Compliant
- Meet or exceed ASME A112.18.1



3689 Arrowhead Drive, Carson City, NV 89706
 Phone (800) 854-3215 Fax (800) 243-1777
 E-mail sales@lspproducts.com Website www.lspproducts.com

Content matter is subject to change at any time. It is the user's responsibility to ensure the most updated revisions are obtained.

AF/S-2017 (04-08) Rev 2

EZ-TURN ANGLE VALVES

Specification Sheet

NICKEL		
PART NUMBER	INLET	OUTLET
V-001-A	5/8" O.D.	1/4" COMP
V-100-A	1/2" SWEAT	3/8" COMP
V-101-A	5/8" O.D. COMP	3/8" COMP
V-102-A	1/2" F.I.P.	3/8" COMP
V-103-A	1/2" PEX	3/8" O.D. COMP
V-105-A	3/8" F.I.P.	3/8" COMP
V-106-A	3/8" O.D. COMP	3/8" O.D. COMP
V-107-A	1/2" F.I.P.	3/4" HOSE THREAD
P-06320	5/8" O.D. COMP	3/4" HOSE THREAD
V-301-A	5/8" O.D.. COMP	1/2" COMP
V-302-A	1/2" F.I.P.	1/2" COMP
V-400-A	1/2" SWEAT	1/2" OR 7/16" SLIP JOINT
V-401-A	5/8" O.D. COMP	1/2" OR 7/16" SLIP JOINT
V-402-A	1/2" F.I.P.	1/2" OR 7/16" SLIP JOINT
V-500-A	1/2" CPVC	3/8" COMP
POLISHED BRASS		
V-201-A	5/8" O.D. COMP	3/8" COMP
V-202-A	1/2" F.I.P.	3/8" COMP

Product Submittal	
Job Name	
Date	
Part Number	Quantity
Architect	
Contractor	